

**PICOVEND EZ SELF  
CHARGING STATION  
(controller for self services  
vending systems)  
v2021-02-10  
(fiscal ready)**

# Table of Contents

- I. Introduction.....3
- II. Hardware.....4
  - A. Board overview.....4
  - B. Connectors description.....4
- III. Token dispenser/change machine working mode.....6
  - A. Bluetooth activation.....6
  - B. Android application flow.....6
- IV. Timer working mode.....9
  - A. Bluetooth activation.....9
  - B. Android application flow.....9
- V. 8 relays timer working mode.....12
  - A. Bluetooth activation.....12
  - B. Android application flow.....12

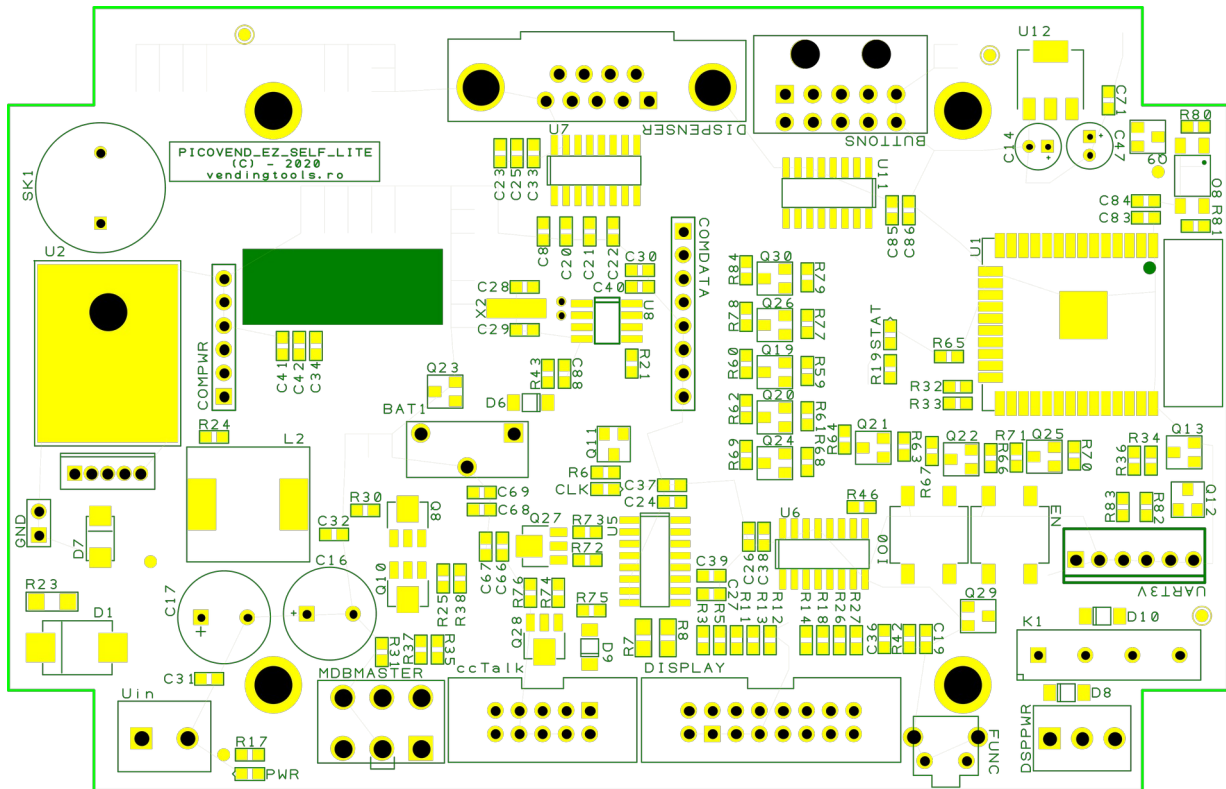
# I. Introduction

This device is intended to be used as a traditional token replacement solution in self service systems (car washing, laundry, kiddie rides, etc.)

It will receive any cash amount (bills/coins) and transfer it to the attached RFID cashless system, following the cashless device bonus policy. It is working with MDB payment systems.

# II. Hardware

## A. Board overview



Picture 1: PICOVEND EZ SELF LITE

## B. Connectors description

1. **Uin** – connect your external power supply to this connector in order to power the device and, also, the connected peripherals (MDB payment systems). You need to make sure your power supply is matching the connected MDB power requirements (voltage and current). The maximum momentary drained current simultaneously drained from MDB should not exceed 4A.

- PIN#1 (the squared shape pin) is for +VDC;
- PIN#2 is for power GND.

2. **MDBMASTER** – this connector allows the device interfacing with MDB peripherals (bill validator/recycler, coin acceptor/changer and cashless device);

3. **DISPLAY** – is the connector for external alphanumeric display, provided with the controller.

**4. UART3V** – this is the connector for 3V3 UART interface is the connector for firmware upload.

- PIN #1 – N/C;
- PIN #2 – GND;
- PIN #3 – TXD;
- PIN #4 – RXD;
- PIN #5 – RTS# not used in this configuration;
- PIN #6 – N/C.

**5. FUNC button** – the button function will be detailed below in the configuring section.

### III. Charging station working mode

There is no controller configuration needed for this working mode. You only need to configure your selected MDB cashless device for bonuses and other complimentary algorithms, then connect your MDB bill validator, coin acceptor and cashless device to the controller and start distributing the cards/tokens/keys accordingly.